

BlueComfort Premium Integration

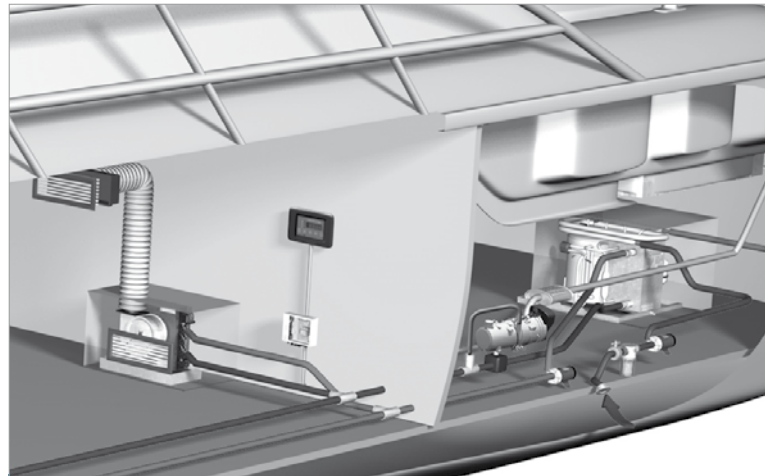
Complete Climate Control by Integrating a Heating and a Cooling Solution into one System

The comfort solution:

To gain total autonomy from environmental conditions Webasto offers the BlueComfort system. It consists of a water heater and a BlueCool air conditioning unit integrated in one system. The result is perfect comfort climate on board in any season and in any region.

Most air conditioning systems have a reverse cycle function to enable heating with the A/C system. However, this requires mild sea water temperatures for efficient heating. Below 6°C sea water temperature the heat cycle becomes inefficient.

The use of a water heater ensures full heating performance even at cooler sea water temperatures where the reverse cycle operation comes to its limits. In this integrated system the same water piping, air handlers, air ducting and cabin temperature control modules are used for both heating and A/C operation.



Product Highlights:

- Flexible control
- Comfort like at home in any weather condition
- Modular concept allowing multiple configurations
- Full range of solutions for any size of boat
- System combinations available from 12,000 to 572,000 BTU/h cooling capacity and from 3.5 to 37 kW heating capacity

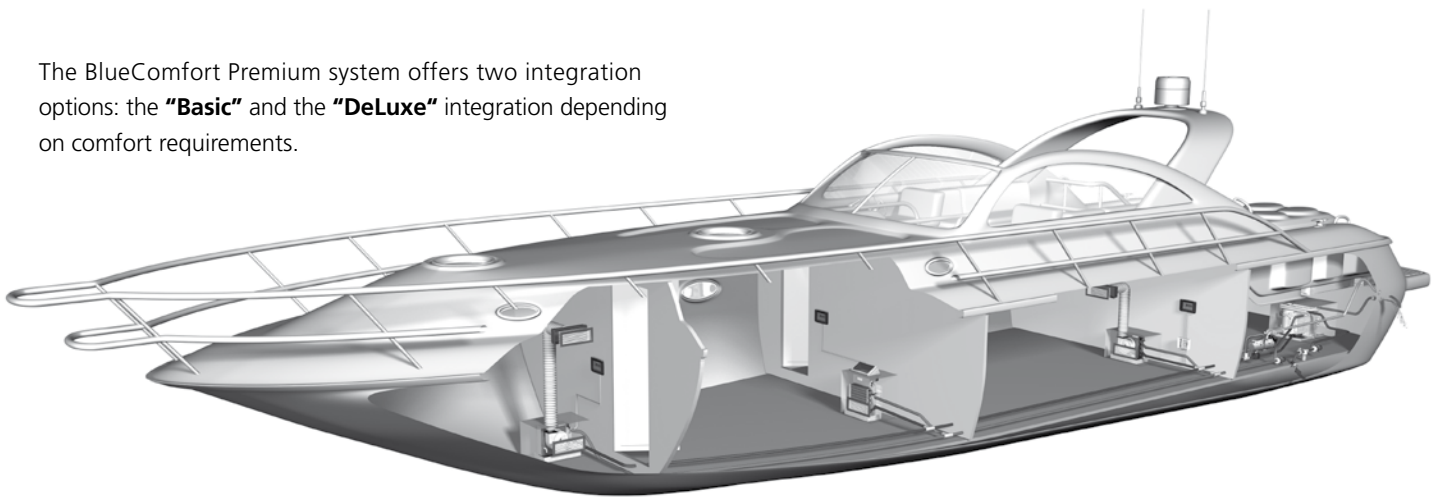


For the complete Webasto range of accessories, please refer to the Marine catalogue.



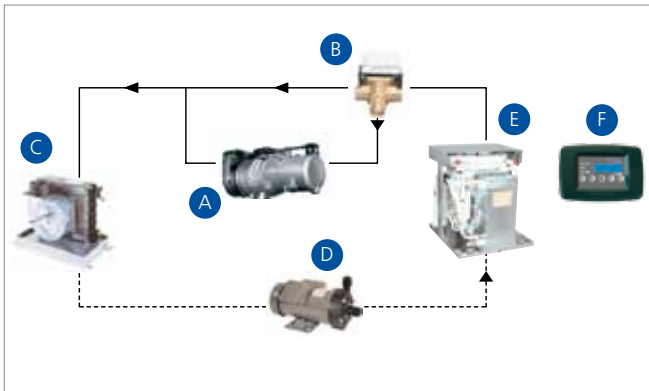
Digital control

The BlueComfort Premium system offers two integration options: the **"Basic"** and the **"DeLuxe"** integration depending on comfort requirements.



Basic Integration:

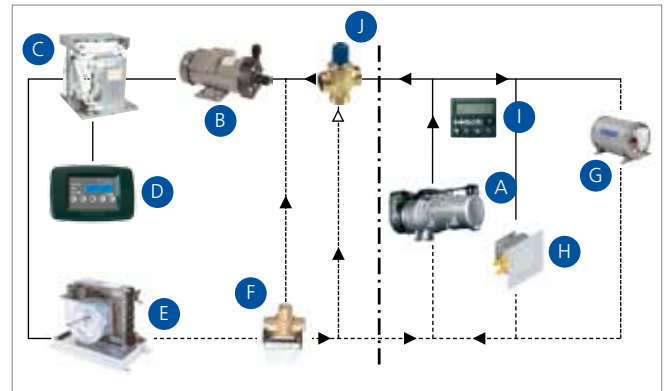
The Basic integration is integrating a customised water heater with a 3-way-valve into the chilled water system of the air conditioner.



- A** Water heater produces hot (60°C) water when system switches to heating
- B** 3 Way valve switches between cooling or heating loop
- C** Air handler warms up or cools down returning air
- D** Water pump circulates the water
- E** A/C chiller unit cools down the water when system switches to cooling
- F** Chiller control for the complete system_
 - Starts the compressor when cooling is necessary
 - Starts the heater when heating is necessary

DeLuxe Integration:

The DeLuxe has all the features of the Basic integration but additionally allows the integration of a water boiler as well as further fan blowers or radiators into the system.



- A** Water heater produces hot (70°C) water when system switches to heating
- B** Water pump circulates the water
- C** A/C chiller unit cools down the water when system switches to cooling
- D** Chiller control controls the complete A/C system and the water heater
 - Starts the compressor when cooling is necessary
 - Starts the heater when heating is necessary
- E** Air handler warms up or cools down returning air
- F** 3 Way valve switches between cooling or heating loop
- G** Water boiler heats up the sanitary water
- H** Blowers or radiators can optionally be used in areas with extra high heating demand (e.g. windscreen for demisting)
- I** Summer/Winter switch allows separate boiler operation in summer mode
- J** Mixing valve mixes hot and cold water to ensure that 60°C hot water is going to the air handlers in heating mode

Advice · Installation · Service